

**ROLLER, TOWED, SMOOTH DRUM, G E D VIBRATING AIRMOBILE,
SINGLE DRUM (ESSICK MODEL VR 55TM)
W/ENGINE MIL-STD 10 HP**

Reference: FEDERAL SUPPLY CATALOG C9100-IL, L05-2805-258-12

Intervals are based on normal hours of operation. Adjust to compensate for abnormal operation and severe conditions. During inactive periods, sufficient lubrication must be performed for adequate preservation.

Clean fittings before lubricating.

Relubricate after washing.

Clean parts with SOLVENT, dry-cleaning, or with OIL, fuel, Diesel. Dry before lubricating.

A dotted circle indicates a drain below.

Lubricate points indicated by dotted arrow shafts on both sides of equipment.

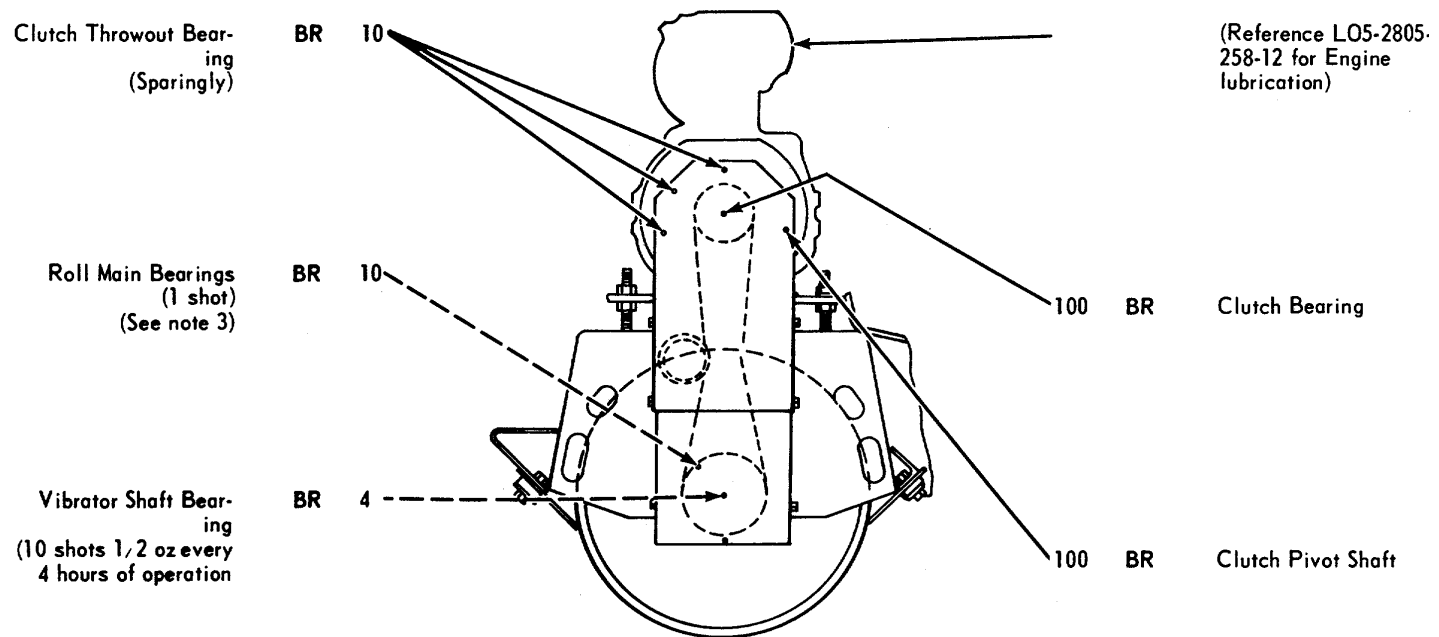
Drain crankcases and gear cases when hot. Fill and check level.

FOLD

FOLD

LUBRICANT ● INTERVAL

INTERVAL ● LUBRICANT



-KEY-

LUBRICANTS	CAPACITY	EXPECTED TEMPERATURES			INTERVALS
		Above +32° F	+40° F to -10° F	0° F to -65° F	
O/EHDO-LUBRICATING OIL, Engine		OE/HDO 30	OE/HDO 10	OE/HDO 10	Intervals given are in hours of normal operation
Oil Can Points					
BR-GREASE, Ball & Roller Bearing		BR	GAA	GAA	
GAA-GREASE, Automotive and Artillery					

NOTES:

1. LUBRICANTS. The following is a list of lubricants with the Military Symbols and applicable specification numbers.

BR MIL G-18709 GAA MIL-G-10924
OE/HDO MIL-L-2104C

2. OIL CAN POINTS. Every 50 hours, lubricate control linkages, pins, hinges and all exposed adjusting threads with OE/HDO.

3. HIDDEN FITTING. This grease fitting is located on the side of the vibrator shaft bearing behind the plate. Remove plate to gain access. Lubricate & replace plate.

Copy of this Lubrication Order will remain with the equipment at all times; instructions contained herein are mandatory.

BY ORDER OF THE SECRETARY OF THE ARMY:

W. C. WESTMORELAND
General, United States Army,
Chief of Staff


OFFICIAL:

VERNE L. BOWERS
Major General, United States Army,
The Adjutant General.

FOLD

FOLD

RECOMMENDED CHANGES TO EQUIPMENT TECHNICAL PUBLICATIONS

 <div style="border: 1px solid black; border-radius: 15px; padding: 5px; display: inline-block; margin-left: 20px;"> <p style="margin: 0;"><i>THEN...JOT DOWN THE DOPE ABOUT IT ON THIS FORM. CAREFULLY TEAR IT OUT, FOLD IT AND DROP IT IN THE MAIL.</i></p> </div>		SOMETHING WRONG WITH PUBLICATION	
		FROM: (PRINT YOUR UNIT'S COMPLETE ADDRESS)	
		DATE SENT	
PUBLICATION NUMBER		PUBLICATION DATE	PUBLICATION TITLE
IN THIS SPACE, TELL WHAT IS WRONG AND WHAT SHOULD BE DONE ABOUT IT.			
BE EXACT PIN-POINT WHERE IT IS			
PAGE NO.	PARA-GRAPH	FIGURE NO.	TABLE NO.
PRINTED NAME, GRADE OR TITLE AND TELEPHONE NUMBER		SIGN HERE	

